



Two-wire tube pre-insulated terminal

Two-wire tube pre-insulated terminal EW

Product Material: Terminal made of high quality copper, good conductivity, high quality ROHS-PP jacket made of durable anti-aging.

Features: The use of high-quality matte plating, greatly extended anti-rust time, no sharp parts; supporting the daily terminal crimping tools can be pressed wire, beautiful wiring,

International Certification: EU RoHS environmental certification, the European CE certification.

Product Features: Excellent quality, cracked lose open after compression, -40 degrees heat to 85 degrees normal use.

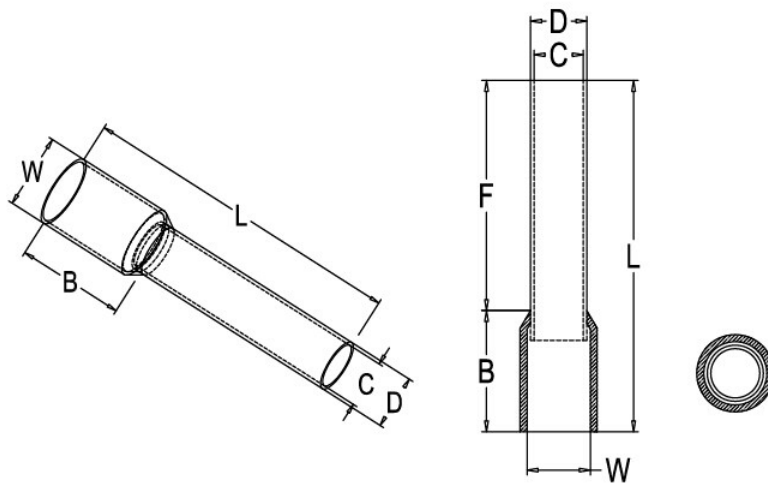
How to use: peel the wire skin, into the terminal after the brass

European tubular insulated terminal specials, a limited number, while stocks last. Larger price is better.



Terminals cold-pressed terminals insulated terminals

Specification



Item no	quantity	price
ET0.25-8 white (R07)	59000	0.070/pcs
ET0.5-6 black (R09)	2360	0.032/pcs
ET0.3-6 white (R07)	1800	0.070/pcs
ET0.3-8green(R07)	5000	0.065/pcs
ET0.3-8purple(R07)	2740	0.065 /pcs
ET0.5-8brown(R07)	4000	0.034/pcs
ET0.5-8black(R09)	4940	0.034/pcs
ET0.75-6gray(R07)	18000	0.032/pcs
ET0.75-6red(R09)	7690	0.032/pcs
ET0.75-6 gray (R09)	1964	0.032/pcs
ET0.75-6yellow(R09)	1000	0.032/pcs
ET0.75-6 yellow (R09)	1000	0.032/pcs
ET0.75-6 white (R09)	6800	0.032 /pcs
ET0.75-6 white (R09)	6800	0.032/pcs
ET0.75-8orange(R07)	2000	0.034 /pcs
ET0.75-8 orange (R09)	3000	0.034 /pcs

ET0.75-10 orange (R07)	5000	0.037 /pcs
ET0.75-10bule(R09)	720	0.037/pcs
ET0.75-12black(R07)	10000	0.037 /pcs
ET0.75-12 gray (R09)	9000	0.041 /pcs
ET0.75-12bule(R25)	5000	0.041 /pcs
ET1.0-6Nred(R07)	300	0.044 /pcs
ET1.0-6Nyellow(R07)	1000	0.044 /pcs
ET1.0-8Norange(R09)	4000	0.048 /pcs
ET1.0-8Nyellow	4600	0.048 /pcs
ET1.0-8Nred	4700	0.048 /pcs
ET1.0-8Nblack(R07)	25000	0.048 /pcs
ET1.0-10Ngray(R07)	2500	0.055 /pcs
ET1.0-10Nblack(R09)	1000	0.055 /pcs
ET1.0-10Nred	19800	0.055 /pcs
ET1.0-10greenR07)	1000	0.042 /pcs
ET1.0-10black(R07)	14000	0.042 /pcs
ET1.0-10gray	1250	0.042 /pcs
ET1.0-10organe(R09)	5100	0.042 /pcs
ET1.0-10bule(R09)	900	0.042 /pcs
ET1.0-12 yellow	5360	0.047 /pcs
ET1.0-12black	850	0.047 /pcs
ET1.5-8purple(R07)	18000	0.042 /pcs
ET1.5-8organe(R09)	2000	0.042 /pcs
ET1.5-8Nbule(R07)	2300	0.055 /pcs
ET1.5-8Nred	27000	0.055 /pcs
ET1.5-10 brown (R09)	14000	0.047 /pcs
ET1.5-10gray(R09)	7034	0.047 /pcs
ET1.5-10black	730	0.047 /pcs
ET1.5-10bule(R09)	900	0.047 /pcs
ET1.5-10bule	10690	0.047 /pcs
ET1.5-10Nblack(R07)	8785	0.061 /pcs
ET1.5-10Ngerm(R07)	500	0.061 /pcs
ET1.5-10Nblack(R07)	8785	0.061 /pcs
ET1.5-12Nred	15060	0.067 /pcs
ET1.5-12 white (R09)	19000	0.051 /pcs
ET1.5-12 yellow (R09)	6000	0.051 /pcs
ET1.5-12orange(R07)	2000	0.051 /pcs
ET1.5-12 yellow (R07)	4800	0.051 /pcs
ET1.0-12Nred(R09)	900	0.061 /pcs
ET1.5-12bule(R07)	15065	0.051 /pcs
ET2.5-8gray	6280	0.052 /pcs
ET2.5-8bule	7730	0.052 /pcs
ET2.5-8orange(R09)	3000	0.052 /pcs
ET2.5-8bule(R09)	1000	0.052 /pcs
ET2.5-8 white	25335	0.052 /pcs
ET2.5-10 white (R07)	21000	0.055 /pcs
ET2.5-10green(R09)	9334	0.055 /pcs
ET2.5-10 white (R09)	6000	0.055 /pcs
ET2.5-10green	1000	0.055 /pcs
ET2.5-22black(R07)	1200	0.514 /pcs
ET2.5-12Ngary(R07)	1000	0.079 /pcs
ET2.5-12gary(R09)	2000	0.061 /pcs
ET2.5-14bule	958	0.040 /pcs
ET4.0-9orange(R09)	6000	0.074 /pcs
ET4.0-12Nred(R07)	4298	0.115 /pcs
ET4.0-12Ngary(R07)	2000	0.115 /pcs

ET4.0-12gary	4000	0.089 /pcs
ET4.0-12 white (R09)	6400	0.089 /pcs
ET4.0-12orange(R07)	9300	0.089 /pcs
ET4.0-18Nred(R07)	435	0.148 /pcs
ET4.0-18 yellow (R09)	3460	0.114 /pcs
ET4.0-18gray(R09)	100	0.114 /pcs
ET6.0-10Ngreen(R07)	72	0.691 /pcs
ET6.0-10Nred(R07)	462	0.691 /pcs
ET6.0-10 yellow (R07)	17800	0.098 /pcs
ET6.0-10 white (R09)	295	0.098 /pcs
ET6.0-10black(R09)	1000	0.098 /pcs
ET6.0-10bule(R07)	8500	0.098 /pcs
ET6.0-12gray(R07)	11192	0.110/pcs
ET6.0-12green(R25)	1000	0.110/pcs
ET6.0-12brown(R07)	830	0.110/pcs
ET6.0-12 white (R09)	3000	0.110/pcs
ET6.0-12 yellow (R09)	1000	0.110/pcs
ET6.0-12Nred(R07)	3657	0.142 /pcs
ET6.0-12N white (R07)	1010	0.142/pcs
ET6.0-12Nbule(R07)	422	0.142/pcs
ET6.0-18bule(R07)	1000	0.156/pcs
ET6.0-18gray(R07)	1000	0.156/pcs
ET10-12Nred(R07)	2500	0.169/pcs
ET10-12Nblack(R07)	800	0.169/pcs
ET10-12Beige(R07)	15998	0.130/pcs
ET10-14red(R07)	496	0.090/pcs
ET10-18black(R07)	2179	0.184/pcs
ET10-18brown(R09)	500	0.184/pcs
ET10-18brown(R25)	500	0.184/pcs
ET10-18Nred(R07)	460	0.239/pcs
ET16-12Nred(R07)	1643	0.169/pcs
ET16-12NBeige(R07)	400	0.169/pcs
ET16-12 yellow (R25)	1000	0.169/pcs
ET16-18Beige(R07)	5584	0.239/pcs
ET16-18 white (R25)	500	0.239/pcs
ET25-12 yellow (R07)	1500	0.137/pcs
ET25-12 white	12280	0.122/pcs
ET25-16gray(R07)	575	0.293/pcs
ET25-16brown(R09)	3100	0.293 /pcs
ET25-16Nbrown(R07)	100	0.380/pcs
ET25-16N yellow (R07)	3000	0.380/pcs
ET25-18 yellow (R07)	2040	0.202/pcs
ET25-22 black (R07)	5200	0.368/pcs
ET25-22Nred(R07)	100	0.479/pcs
ET25-22yellow(R07)	2000	0.368/pcs
ET25-22brown(R09)	596	0.368/pcs
ET25-22 black (R25)	800	0.368/pcs
ET35-10bule(R07)	1000	0.148/pcs
ET35-16Nbrown(R07)	100	0.417/pcs
ET35-16brown(R09)	679	0.321/pcs
ET35-18red(R07)	600	0.207/pcs
ET35-25Nred(R07)	150	0.564/pcs
ET50-20green(R09)	850	0.592/pcs
ET50-20white(R07)	4650	0.592/pcs
ET50-20Nbule	290	0.769/pcs

ET 50-25green(R07)	495	0.677 /pcs
ET 50-25red(R07)	310	0.780/pcs
ET 50-25bule(R07)	690	0.780 /pcs
ET 50-25green(R07)	85	0.780/pcs
ET 50-25Nred(R07)	498	1.014/pcs
ET 70-21 yellow (R07)	100	0.650 /pcs
ET 70-25N yellow (R07)	100	1.719 /pcs
ET 70-25ref(R07)	100	1.322 /pcs
ET 95-25Nred(R07)	38	2.381 /pcs
ET 95-25 black (R07)	95	1.831 /pcs
ET 95-25yellow(R07)	168	1.831 /pcs
ET 120-27bule(R07)	200	2.168 /pcs
ET 120-32N black (R07)	43	3.241 /pcs

Product Show



