



Mechanical cabinet humidity controller

Mechanical cabinet humidity controller

Simple and easy to operate, without manual, automatic heating

When the temperature is lower than the set temperature, the heater is energized and heated

When the temperature is higher than the set temperature, the heater will stop heating

Product advantages

Sudden jump type bimetal heat sensitive contact head

Automatic adjustment, constant temperature control, reliable performance, easy wiring

Small size, fine craftsmanship

Temperature control range: 0-80°C

Rated voltage: 250V

Rated current: 5A

Rated power: 25W

Electrical connection: 3-pole 2.5mm, 0.8Nm

Switching tolerance: 4%RH±3%

Maximum switching capacity: 250VAC, 5(0.2)A/DC 25W

Size (mm): 67x50x38

main application

The electromechanical humidity controller is used to increase the ambient temperature in the cabinet by controlling the heater when the relative humidity exceeds 65%, thereby avoiding moisture and corrosion.

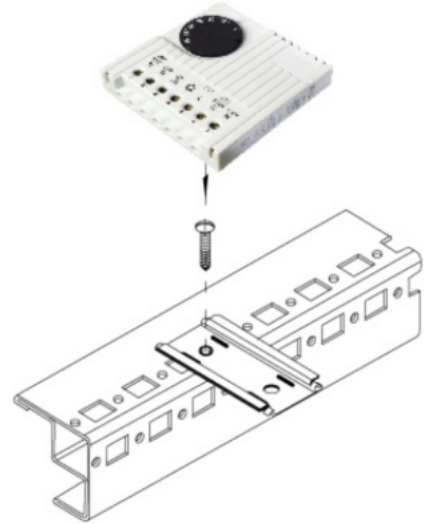
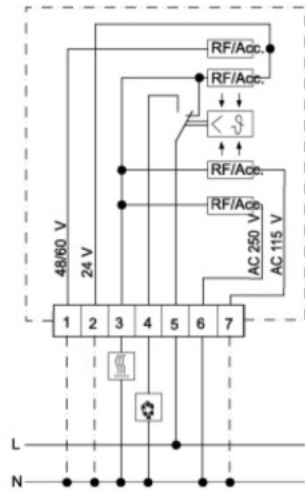
Mechanical cabinet humidity controller

Specification

| | |
|-------------------------------|--|
| Technical Parameters | model |
| | DSK3110 |
| Operating Voltage | 230/115/60/48/24V (AC), 60/48/24V Direct current (DC) |
| Sensing element | Bimetal |
| Electric shock configuration | Single pole conversion electric shock as a momentary switching element |
| Allowable electric shock load | K1.5-3 (heating) AC 10 (4) A, DC = 30w; K1.5-4 plus cold) AC 5 (4) A, DC = 30w; |
| Temperature adjustment range | +5°C~+60°C |
| Weight (g) | 105 |
| Size (mm) | 71X71X33.5 |
| Switch difference | Approximately 1K plus or minus 0.8K |
| Shell material | ABS |
| Protection level | IP20 |
| Certification | CE |

Technical Index

| | | | | | | |
|-----------------|----------|---|---|------------|--------------------|-----------|
| 48V 60V N | 24V N | | | (L1*) L | (L2*) 250V N | 115V N |
| 1 | 2 | 3 | 4 | 5 | 6 | 7 |



Product Show

Temperature Controller

35mm rail installation

Automatic adjustment, high conversion capacity,
CE certification, easy installation

