



Waterproof plug for automobile wiring harness

Waterproof plug for automobile wiring harness

Blind bolt

1. Material: Silicone rubber
2. Environmental protection: in line with ROHS certification
3. Excellent waterproof performance: self-permeable oil technology with waterproof plug
4. Features: oil resistance, wear resistance, high and low temperature resistance, aging resistance, ozone resistance
5. Purpose: The hole position of the wire harness connector is sealed, which has the functions of dustproof, waterproof and oilproof
6. Application scenario: automotive industry

Reference standard for blind bolt selection

① Outer diameter

When matching, sheath inner diameter + 1.0mm > blind bolt outer diameter ≥ sheath inner diameter + 0.2mm.

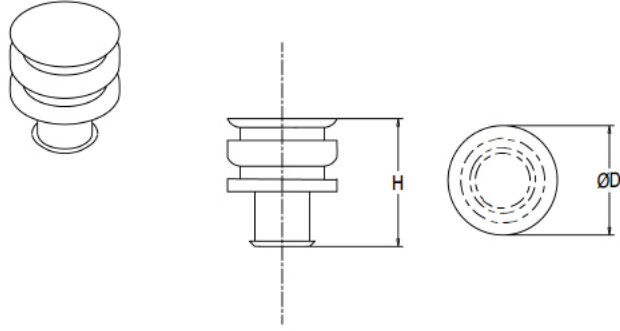
② Height

The height of the blind bolt shall not be higher than the height of the inner hole of the sheath.

Waterproof plug for automobile wiring harness

Specification

RCCN Blind bolt RoHS



Product number	outside diameter (D)mm	Height (H)mm	Colour	smallest packaging
963531-1	3.8	7.6	White	1000
967056-1	4.1	8.6	Blue	1000
J00150015	6.1	7.9	Transparent color	1000
KWD-5.3	5.5	6.6	Red	1000
859SB-8D	5.9	6.6	Black	1000

Description:
 Product material: silicone rubber
 Scope of application: wire harness connector holes are threaded and fixed
 Performance characteristics: waterproof, oil-resistant, wear-resistant, high and low temperature, aging, ozone-resistant

Product Show

